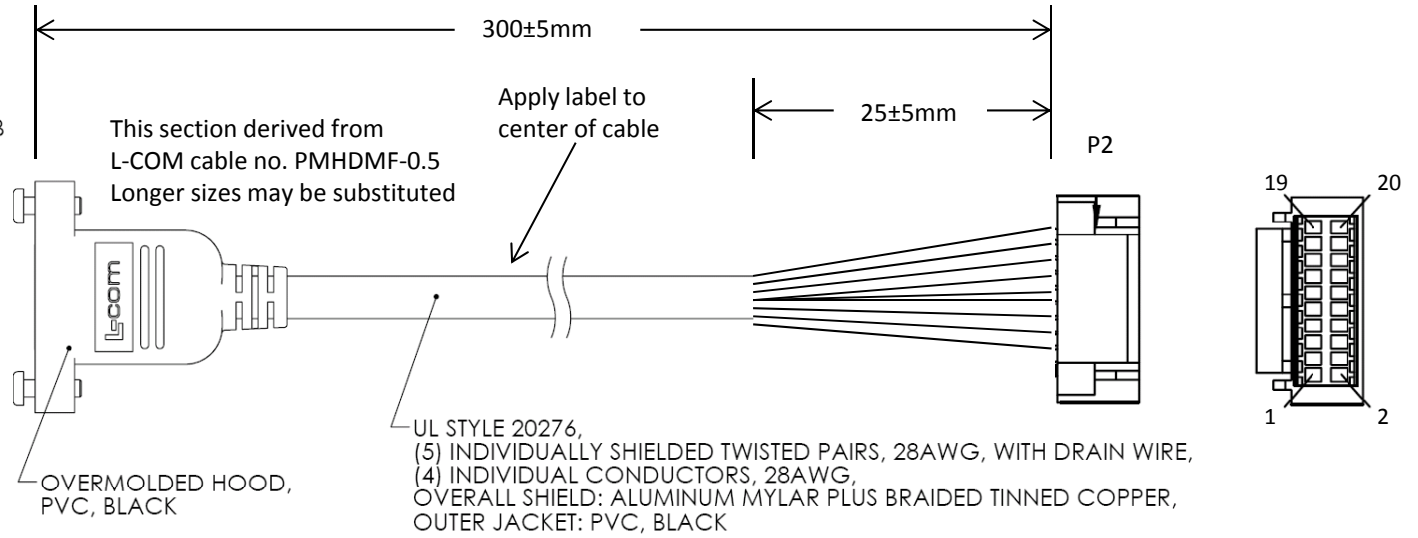
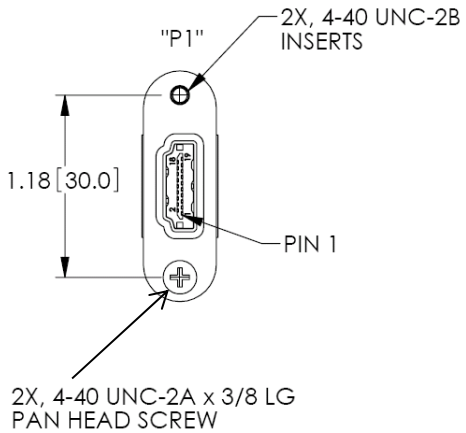
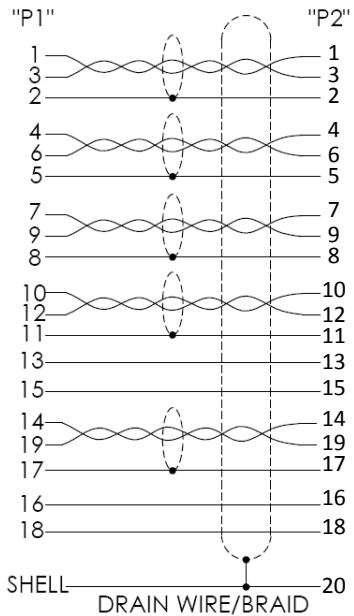


HDMI FEMALE  
19 PIN CONNECTOR  
GOLD PLATED CONTACTS  
AND SHELL



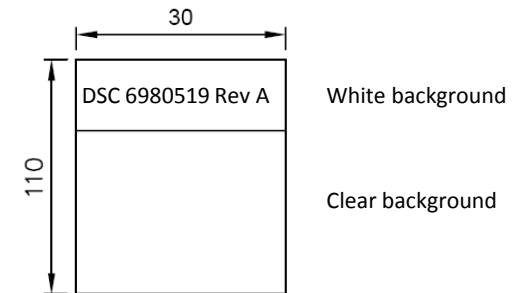
### Wiring Diagram



P1: Included in L-COM Cable PMHDMF-0.5  
P2: Housing: JST GHDR-20V-S  
Contacts: JST SGHD-002GA-P0.2

### Label Details

Similar design may be substituted



**Diamond Systems Corp.**  
Cable no. 6980519 rev A  
HDMI cable for Venus SBC

